

385 - 415V 50Hz											
Motor (Ref Only)	Filter Amps Rating	MTE Part Number	Enclosure Type	Filter Dimensions (H x W x D)		Approx Weight		Ref Fig	Watts Loss	Capacitor/Capacitor Panel Assembly Dimensions (H x W x D)	
				Inches	Millimeters	Lbs	Kgs			Inches	Millimeters
1.1 - 2.2	6	MXP0006C	OPEN	12.6 x 7.4 x 8.9	320 x 188 x 226	20	9	1	65	Preinstalled on reactor panel	
-	8	MXP0008C	OPEN	12.6 x 7.4 x 8.9	320 x 188 x 226	24	11	1	74	Preinstalled on reactor panel	
3.7	11	MXP0011C	OPEN	12.6 x 7.4 x 9.1	320 x 188 x 231	30	14	1	94	Preinstalled on reactor panel	
5.5	14	MXP0014C	OPEN	12.6 x 7.4 x 9.3	320 x 188 x 236	33	15	1	106	Preinstalled on reactor panel	
7.5	21	MXP0021C	OPEN	17.4 x 7.6 x 11.4	442 x 193 x 290	39	18	2	192	Preinstalled on reactor panel	
11	27	MXP0027C	OPEN	17.4 x 7.6 x 11.4	442 x 193 x 290	43	20	2	212	Preinstalled on reactor panel	
15	34	MXP0034C	OPEN	17.4 x 7.6 x 11.4	442 x 193 x 290	47	21	2	205	Preinstalled on reactor panel	
18.5 - 22	44	MXP0044C	OPEN	17.4 x 7.6 x 11.4	442 x 193 x 290	53	24	2	270	Preinstalled on reactor panel	
-	52	MXP0052C	OPEN	20.0 x 10.6 x 12.5	508 x 269 x 318	73	33	3	278	Preinstalled on reactor panel	
30	66	MXP0066C	OPEN	20.0 x 10.6 x 12.2	508 x 269 x 310	78	35	3	359	Preinstalled on reactor panel	
37 - 45	83	MXP0083C	OPEN	20.0 x 10.6 x 13.1	508 x 269 x 333	92	42	3	378	Preinstalled on reactor panel	
55	103	MXP0103C	OPEN	20.0 x 10.6 x 13.8	508 x 269 x 351	104	47	3	397	Preinstalled on reactor panel	
-	128	MXP0128C	OPEN	20.2 x 10.6 x 14.3	513 x 269 x 363	115	52	3	480	Preinstalled on reactor panel	
75 - 90	165	MXP0165C	OPEN	25.5 x 14.8 x 14.3	648 x 376 x 363	145	66	4	668	Preinstalled on reactor panel	
110	208	MXP0208C	OPEN	25.6 x 14.8 x 14.6	650 x 376 x 371	163	74	4	732	Preinstalled on reactor panel	
-	240	MXP0240C	OPEN	25.6 x 14.8 x 15.7	650 x 376 x 399	193	88	4	768	Preinstalled on reactor panel	
150	320	MXP0320C	OPEN	25.8 x 14.8 x 15.6	655 x 376 x 396	209	95	4	929	Preinstalled on reactor panel	

OPEN MAGNETICS

FIGURE 1

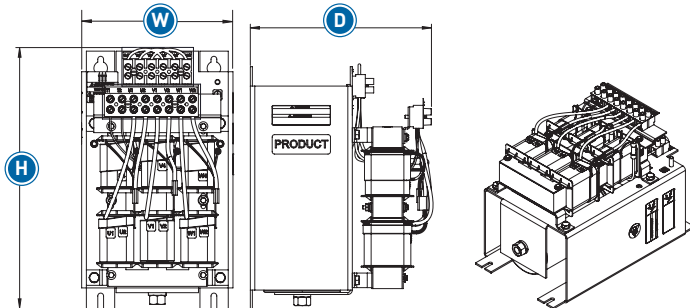


FIGURE 2

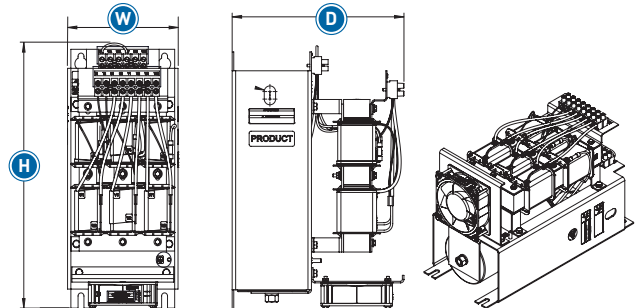


FIGURE 3

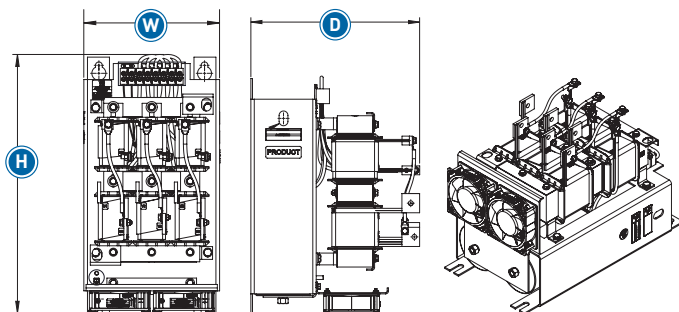


FIGURE 4

